

TJEP CPX 27 Concrete Pin, Electrogalvanized

Application

Fixation of drywall tracks.

Fixation of wiring accessories/conduit fasteners.

Material properties

Total length L: 16, 20, 25, 30, 35 & 40 mm

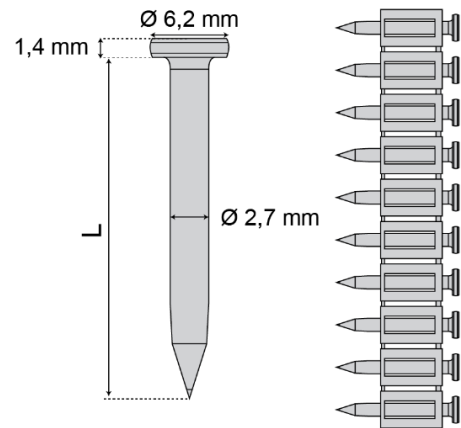
Black collated strip.

Electrogalvanized, average thickness $\geq 5 \mu\text{m}$.

Hardness 53-56 HRc

Suitable tools

TJEP CP-40 GAS 3G concrete nailer or similar.



Product list

Range	Length of shank (L)	Item no.
CPX 27/16	16	839290
CPX 27/20	20	839291
CPX 27/25	25	839292
CPX 27/30	30	839293
CPX 27/35	35	839294
CPX 27/40	40	839295

RECOMMENDED LOAD

TJEP CPX 27 Range	Embedment	Characteristic resistance	
		N_{Rk} (kN)	V_{Rk} (kN)
Concrete C30/37	$H_{nom} = 12 \text{ mm}$	0,36	0,15
	$H_{nom} = 20 \text{ mm}$	0,74	0,47