

## TJEP CPX 26 Concrete Pin, ElectroGalvanized

### Application

Fixation of drywall tracks.

Fixation of wiring accessories/conduit fasteners.

### Approval



Fire protection approval

### Material properties

Total length L: 16, 20, 25, 30, 35 & 40 mm

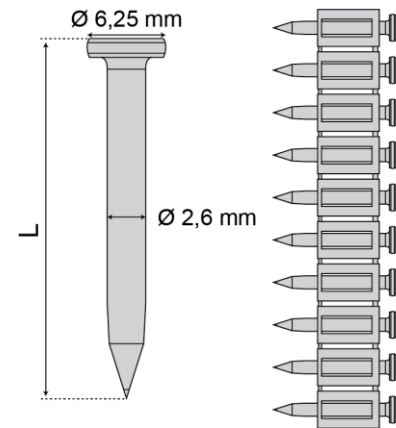
Blue collated strip.

ElectroGalvanized, average thickness  $\geq 5 \mu\text{m}$ .

Hardness 53-56 HRC

### Suitable tools

TJEP CP-40 GAS 3G concrete nailer or similar.



### Product list

Range	Length of shank (L)	Item no.
CPX 26/16	16	839216
CPX 26/20	20	839219
CPX 26/25	25	839224
CPX 26/30	30	839229
CPX 26/35	35	839234
CPX 26/40	40	839239

### RECOMMENDED LOAD

TJEP CPX 26 Range	Embedment	Characteristic resistance	
		$N_{Rk}$ (kN)	$V_{Rk}$ (kN)
Concrete C30/37	$H_{nom} = 12 \text{ mm}$	0,23	0,09
	$H_{nom} = 20 \text{ mm}$	0,51	0,15